



ELASTO-SEAL BRUSH

GENERAL PRESENTATION :

The ELASTO-SEAL strip brush is designed to work as a weatherstripping seal. It prevents dust, noise, light and draught from slipping under doors.

As a brush, it can also be used to clean or polish a variety of surfaces; in addition, it can be used in a great variety of applications such as paper production or F1 car streamlines.



TECHNICAL NOTES :

Selection :

Please refer to the illustrations to choose the required type of ELASTO-SEAL.

Choose the nylon filament's length according to the crack to be filled.

Avoid squashing nylon filaments to fill cracks between mobile surfaces for the applications where length varies in an important way.

Please take into consideration the ELASTO-SEAL section

Cutting :

When the ELASTO-SEAL brush is cut, it is essential to shunt the end so as to avoid losing nylon filaments.

Implement the following proceedings :

- Measure the required length and carry out cutting with a fine tooth saw.

- Slip the seal in the aluminum extrusion of about 25 mm and tighten a minimum quantity in order to close the end
- Put back the seal in the extrusion and get the end out of the extrusion in order to fix the seal

Implementation :

The ELASTO-SEAL brush must be implemented when the door is closed. Nylon filaments must be in touch with the doorstep but they should be slightly bended. Fix the ELASTO-SEAL brush by piercing the soleplate at 50 mm. The ELASTO-SEAL's lengths can be implemented together in order to cover the required length

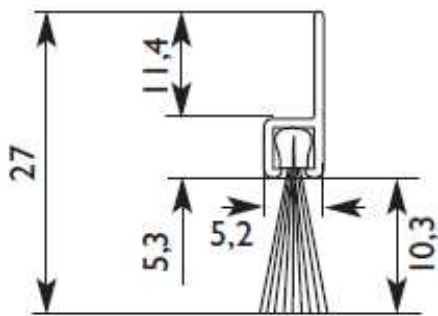


**CARRIAGE COSTS ARE CALCULATED
ACCORDING TO THE DELIVERY POINT**

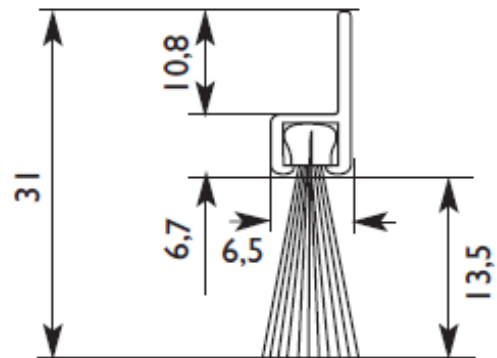


Available in 1 metre standard lengths

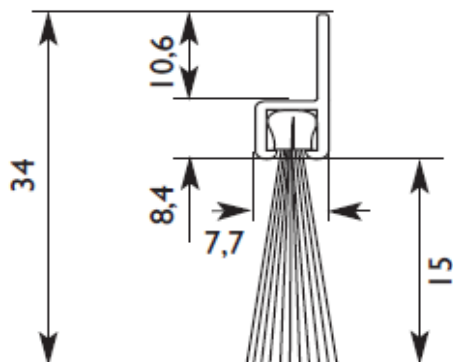
ELASTO-SEAL A (black nylon, \varnothing : 0.152 mm)



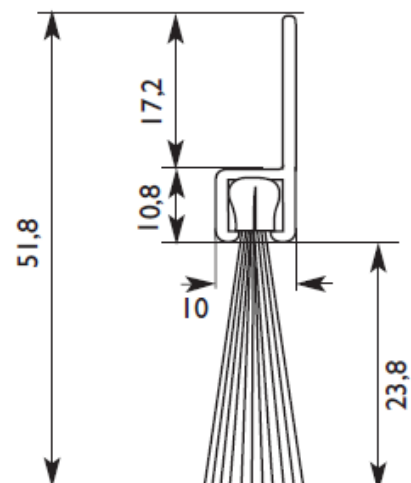
ELASTO-SEAL B (black nylon, \varnothing : 0.152 mm)



ELASTO-SEAL C (black nylon, \varnothing : 0.152 mm)

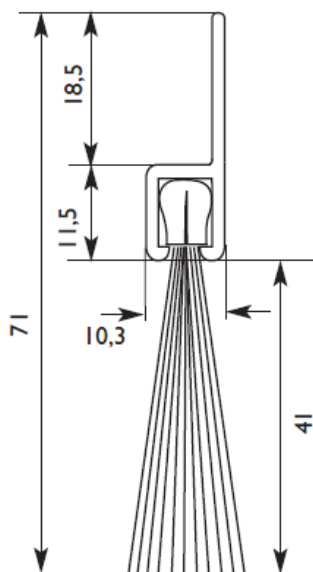


ELASTO-SEAL D (black nylon, \varnothing : 0.203 mm)

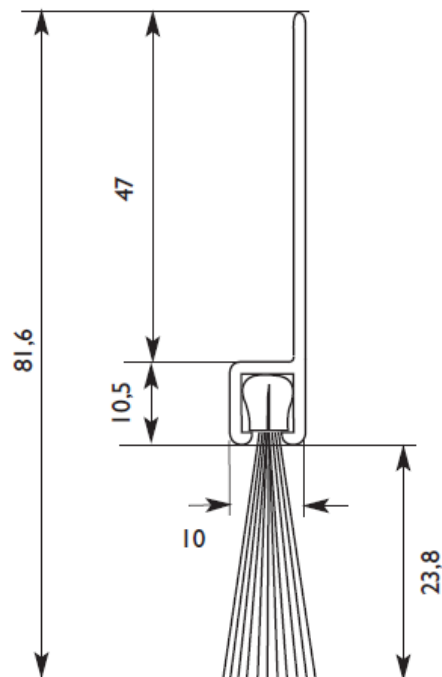


Available in 1 metre standard lengths

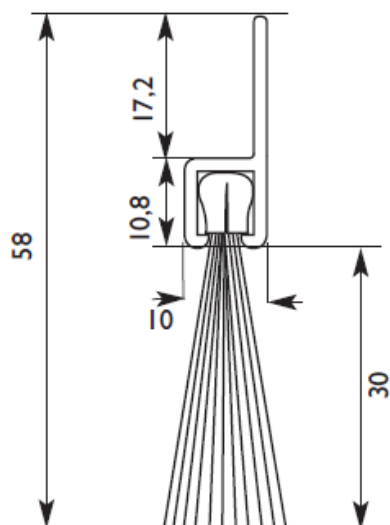
ELASTO-SEAL E (black nylon, $\varnothing : 0.305 \text{ mm}$)



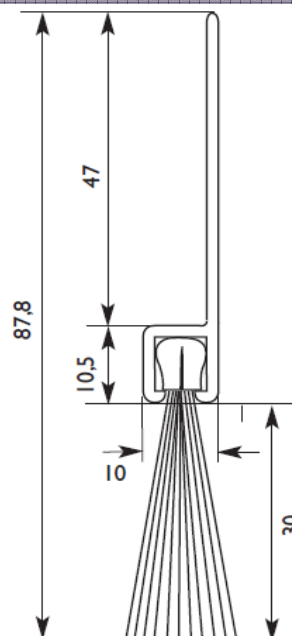
ELASTO-SEAL DL (black nylon, $\varnothing : 0.203 \text{ mm}$)



ELASTO-SEAL DX (black nylon, $\varnothing : 0.203 \text{ mm}$)



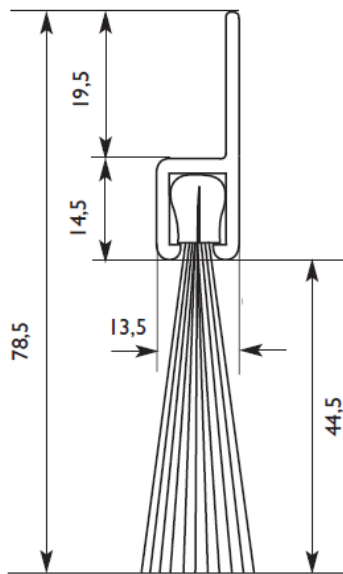
ELASTO-SEAL DL (black nylon, $\varnothing : 0.203 \text{ mm}$)



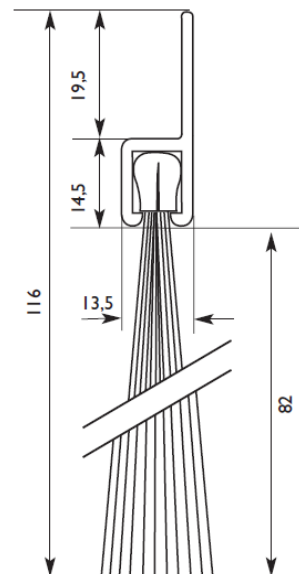


Available in 1 metre standard lengths

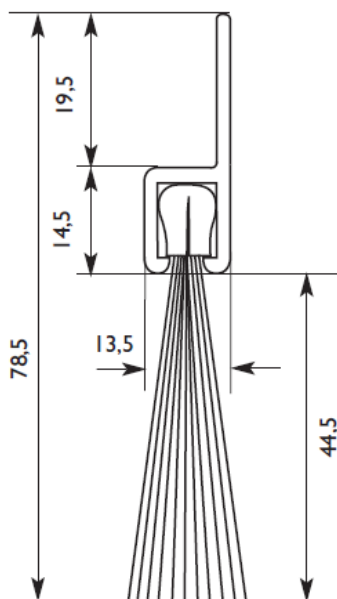
ELASTO-SEAL GS (black nylon, $\varnothing : 0.508 \text{ mm}$)



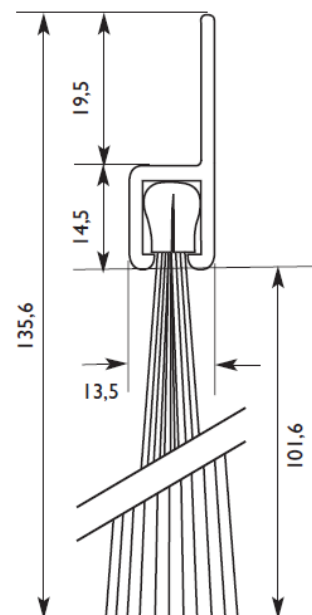
ELASTO-SEAL GSX (black nylon, $\varnothing : 0.508 \text{ mm}$)



ELASTO-SEAL GW (black nylon, $\varnothing : 0.610 \text{ mm}$)



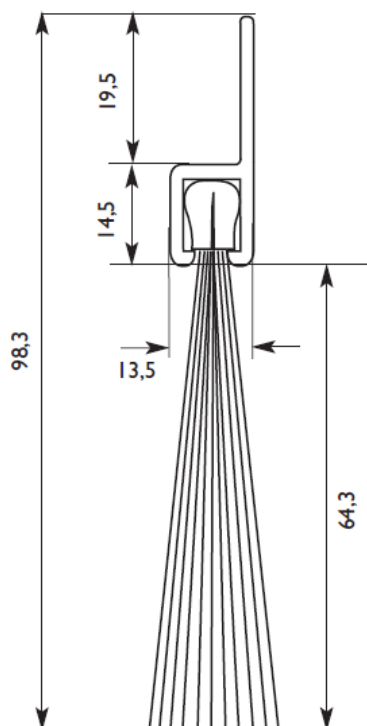
ELASTO-SEAL GL (black nylon, $\varnothing : 0.508 \text{ mm}$)





Available in 1 metre standard lengths

ELASTO-SEAL GM (black nylon, \varnothing : 0.330 mm)



ELASTO-SEAL H (black nylon, \varnothing : 0.889 mm)

