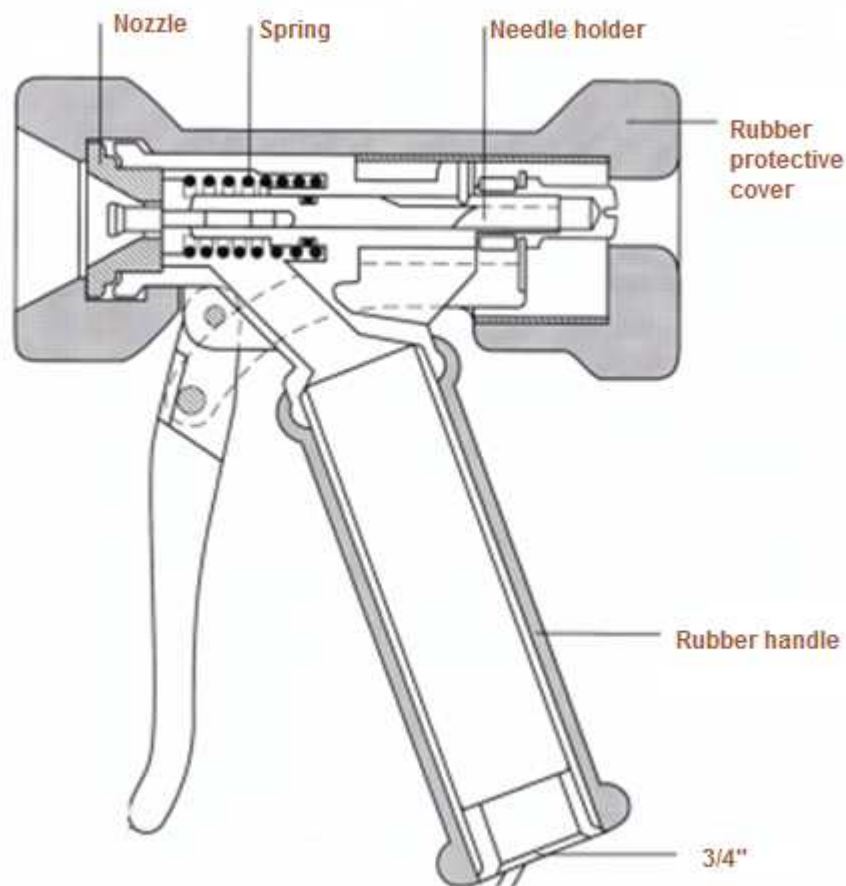




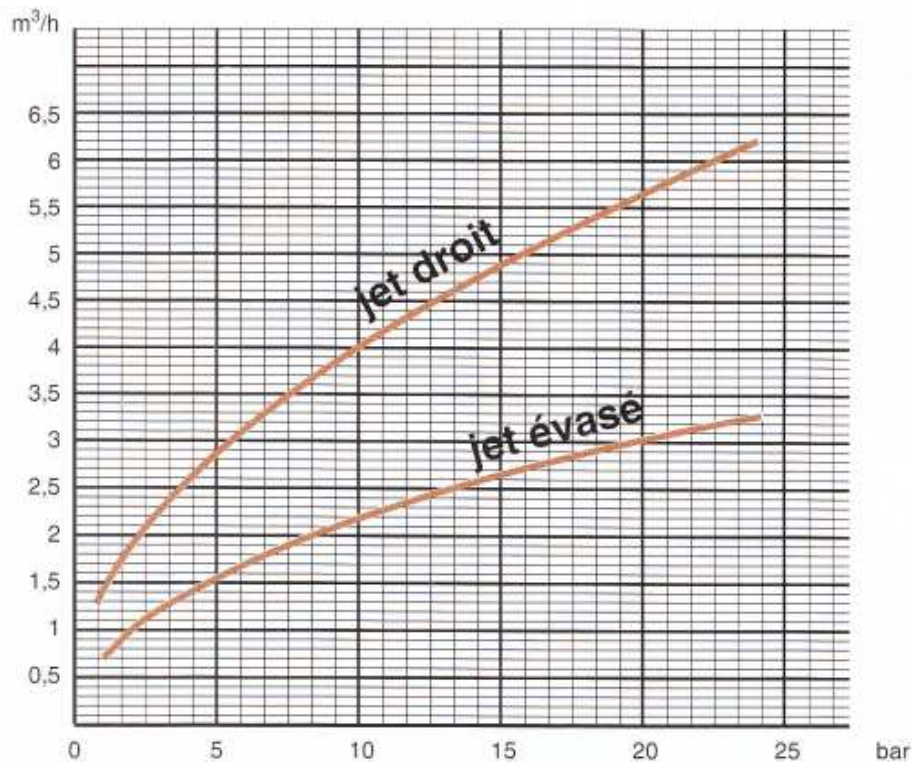
## Professional gun washer

Our gun washer will allow you to reduce your water and energy expenses in a significant way. It contributes to the protection of the environment and doesn't use any noxious chemical products. Pressing the trigger will allow you to open or close the hose nozzle and adjust the jet intensity. A stirrup strap makes its functioning easier. This gun washer, usually used in the industrial environment is really sturdy and has great longevity thanks to its superior quality production: brass and high-grade steel. The rubber covering that stands fats, acids and alkaline acids very well, protects it from impacts, heat and cold. The gun washer is suitable for hot water that doesn't exceed 80°C and for high pressure that doesn't exceed 25 bars.





### Professional gun washer



### Technical characteristics:

Sprinkler pressure: 25 bars at the maximum. Water temperature: 80°C. Estimated discharge: 25l/min at 5 pressure bar. Its brass case, protected by a rubber covering stands fats and alkaline liquids and is impervious to impacts. Tanks or pavings cannot be damaged.

Jet	Bar	1	2	3	4	5	6	7	8	9	10	11	12
 Flared	m³/h	0.68	0.97	1.18	1.37	1.53	1.68	1.81	1.94	2.06	2.17	2.27	2.37
 Straight	m³/h	1.28	1.81	2.22	2.56	2.86	3.14	3.39	3.62	3.84	4.05	4.25	4.43
Jet	Bar	13	14	15	16	17	18	19	20	21	22	23	24
 Flared	m³/h	2.47	2.56	2.65	2.74	2.82	2.91	2.99	3.06	3.14	3.21	3.29	3.36
 Straight	m³/h	4.62	4.79	4.96	5.12	5.28	5.43	5.58	5.72	5.87	6.00	6.14	6.27