

## SE134 MOUNTING



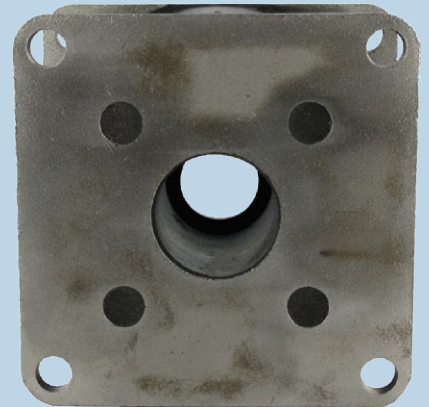
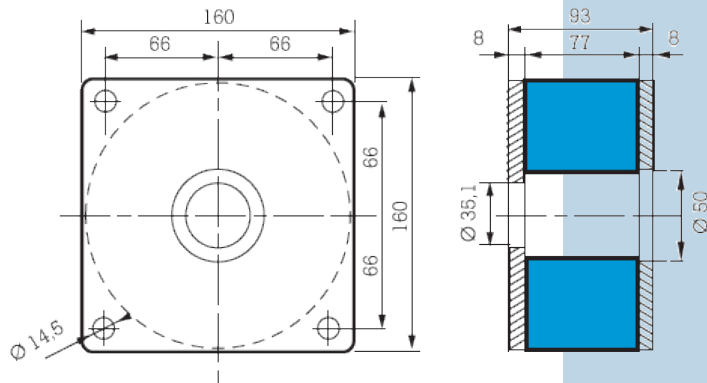
The SE134 mounting is made of an elastomer coat between two metal frames.

It is designed to support heavy loads in compression 2,500 daN

**Hardness :** 60 Shore A

**Shear load :** 300 daN – deflection : 10 mm

**Load compression :** 2500 daN – deflection : 15 mm



### Tariffs

**Unit price: 224.28 € Excl. tax**

**CARRIAGE COSTS ARE CALCULATED  
ACCORDING TO THE DELIVERY POINT**

